

**INSTALLATION INSTRUCTIONS  
PROLINE OIL FILTER TAKE-OFF PLATE  
PART # 18-TOP\_\_-22**

Please read these instructions completely before beginning installation.

KIT CONTENTS	
QTY.	DESCRIPTION
1	Spin-on take-off plate
1	O-ring (susa part # 20-568230-N)
1	Hex-sleeve bushing (see chart at bottom for size)
1	Retaining ring

sūsa ProLine Adapter Fittings  
SOLD SEPARATELY



**INSTALLATION**

This take-off plate is designed to allow relocation of an oil filter and/or plumbing of an external oil cooler.

**IMPORTANT**

The take-off plate is machined with 22mm x 1.5 threaded ports and MUST have an o-ring style fitting.

sūsa offers several aluminum AN male adapter fittings:  
Please visit [www.setrabusa.com](http://www.setrabusa.com)

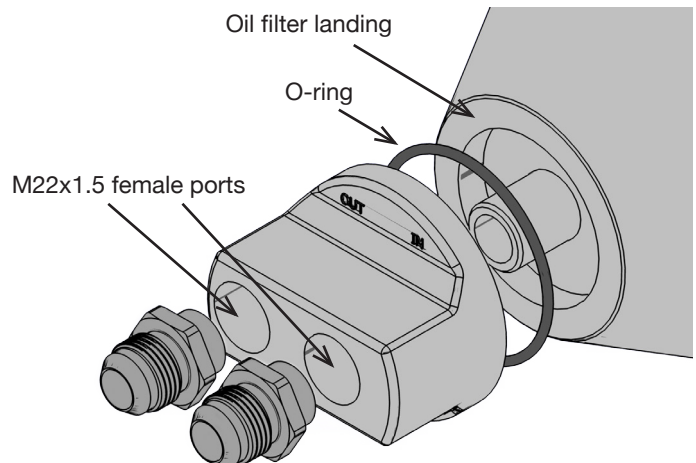
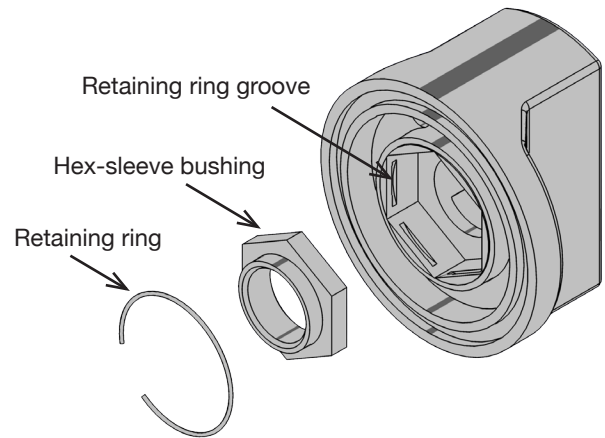
**Part 1: Installing adapter fittings into take-off plate**

**NOTE:** sūsa ProLine adapter fittings are not included with this part but are required for proper installation and unit function.

1. Lubricate the o-ring and thread on ProLine adapter fittings.
2. Thread adapter fittings into the take-off plate's M22x1.5 female ports.
3. Recommended torque value is 29.5 lb.-ft. (40 Nm).

**Part 2: Installing spin-on take-off plate**

4. Remove the factory oil filter and clean the oil filter landing surface on the engine block.
5. Insert the hex-sleeve bushing into the take-off plate's hex feature. Hex-sleeve bushing will only install in one direction.
6. Insert the included retaining ring into the groove of the hex feature, ensuring it is securely engaged
7. Lightly lubricate the o-ring with oil.
8. Install the o-ring into the take-off plate's o-ring channel.
9. Thread the take-off plate onto the oil filter stem on the engine block.
10. Hand-tighten to factory specification for an engine oil filter.



Reference chart for part number / corresponding size

P/N	NIPPLE THREAD
18-TOP13-22	13/16-16
18-TOP20-22	M20 x 1.5
18-TOP22-22	M22 x 1.5
18-TOP34-22	3/4-16

for a full range of oil coolers and  
performance plumbing accessories  
please visit:

[www.setrabusa.com](http://www.setrabusa.com)