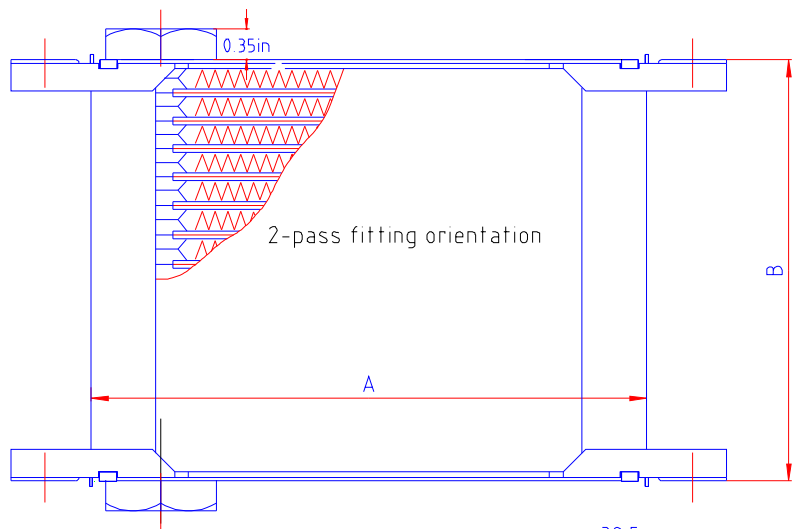
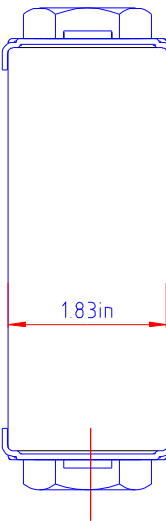


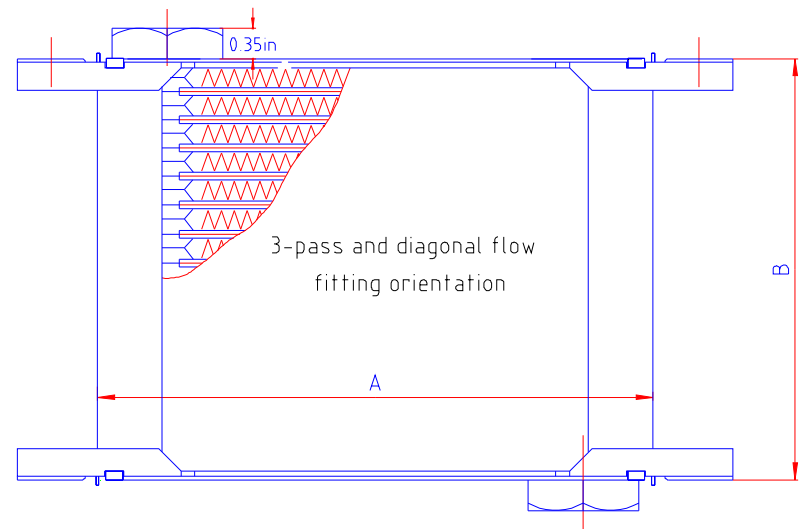
Pro Line - STD - Multi Pass



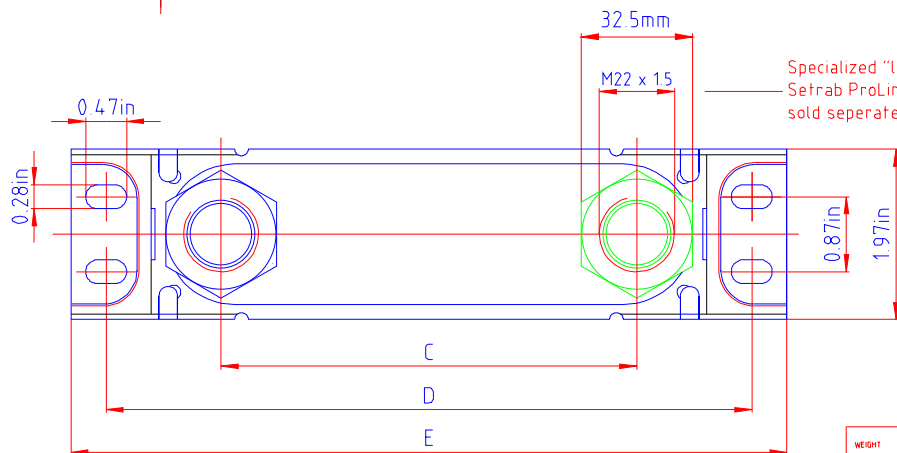
2-pass fitting orientation



1.83in



3-pass and diagonal flow fitting orientation



Specialized "low-profile" Setrab ProLine Fittings sold separately

Part No. and dimensions for Pro-Line STD Multi-pass oil coolers.

Part. No.	Description	A	B	C	D	E
51-07943	172M22i-D	6.42	22.13	4.80	7.48	8.27
51-09401-01	272M22i-D	7.21	22.13	5.67	8.27	9.06
51-09904-01	613M22i-2P	11.14	3.94	n/a	12.20	12.99
51-07944	619M22i-2P	11.14	5.75	n/a	12.20	12.99
51-07989	640M22i-D	11.14	12.20	9.53	12.20	12.99
51-07990	650M22i-3P	11.14	15.31	9.53	12.20	12.99
51-07945-01	920M22i-2P	14.09	6.06	n/a	15.16	15.94

TOLERANCE CLASS-ISO 2768-v	0.02in up to 0.12in	over 0.12in up to 0.27in	over 0.27in up to 0.18in	over 0.18in up to 0.472in	over 0.472in up to 0.1574in	over 0.1574in up to 0.3937in
PERMISSIBLE DEVIATIONS FOR LINEAR DIMENSIONS EXCEPT FOR BROKEN EDGES. (inches)	-	± 0.02in	± 0.04in	± 0.06in	± 0.10in	± 0.16in

WEIGHT	FMS/TURB	C/4									
VOLUME	DRAWN	DATE/SIGN									AL
WORKING PRESSURE	145PSI	Dynamical	112610	MCB	POS NO	QTY	DENOMINATION	MATERIAL	DIMENSION	REMARKS	
MAX PRESSURE	174PSI		APPROVAL	DATE/SIGN			ALL MEASUREMENTS REFER TO UNPAINTED OBJECT		TOLERANCES WHERE NOT SPECIFIED		ISO 2768-v
TEST PRESSURE	58PSI		ENGINEER				DENOMINATION		STM22i		
BURST PRESSURE			QUALITY				MULTI-PASS OIL COOLERS		REPLACES		SCALE
TEST ACC TO			PROD				E		CONNECTION DRAWINGS		
PANT	BLACK EPOXY		LOGISTICS				Setrab Oil Coolers		DRAWING NO		ISSUE
PANT THICKNESS	100µm ± 30µm		CUSTOMER	Pro Line			Pro Line - STD				
CONNECTION MAX TIGHTENING TORQUE	29.5lbs-ft						Centerburg, OH USA Tel +1(740)623-6228 Fax +1(740)623-6208 www.setrabusa.com				
COUNTERACTING SPANNER MUST BE USED WHEN TIGHTENING CONNECTIONS											